

CP-X3014WN

MULTI PURPOSE LCD PROJECTOR

Designed for medium sized education and corporate venues, Hitachi's CP-X3014WN allows users to wirelessly† present via a PC placed anywhere in a room. With an exceptional high contrast ratio and long life lamp the CP-X3014WN delivers a superb image, simple user functionality with a low total cost of ownership.

Performance

- XGA resolution (1024 x 768)
- Light output (brightness):
3200 ANSI Lumens
- Quick On and Auto Off
- 3000:1 Contrast ratio
- Low noise level - 29dB in Eco Mode
- 16W Speakers (8W x 2)
- Blackboard and Whiteboard Modes
- PC-less presentation
- Multi PC Mode
- Anti Theft features:
 - PIN-Lock
 - MyScreen PIN-Lock
 - Keypad Lock
 - Kensington Lock
 - Transition Detector

Cost of ownership

- Extended Hybrid Filter life with up to 6000 hour filter
- Long lamp life - up to 6000 hours (Eco Mode)*
- No additional filter cleaning costs
- Easy set up and installation
- Power saving mode
- Virtually maintenance free

Advanced Network Features

- Full connectivity including 1 x RJ-45
- Optional wireless networking†
- Configure and control projector via network with a web browser
- Projector management via SNMP
- Messenger function
- Crestron RoomView®
- AMX Device Discovery
- PJ Link™
- Network Bridge

Environment



- Reduced carbon footprint by extended service intervals
- The Hybrid Filter reduces electronic waste
- Paint free casing
- Recyclable carton boxes
- Reduced power consumption - less than 1W in Standby Mode

Hitachi have formulated an "Environmental Vision" to contribute towards building a sustainable society through business and product development.

Our goal is to develop life-enhancing technology that will contribute to and realise a truly sustainable society for current and future generations.

†wireless is optional on this model
(USB wireless adaptor sold separately)

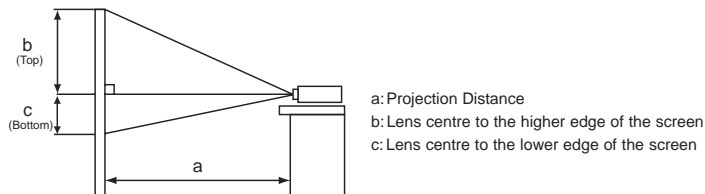
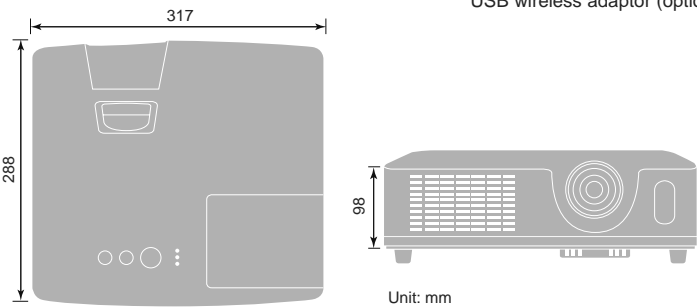
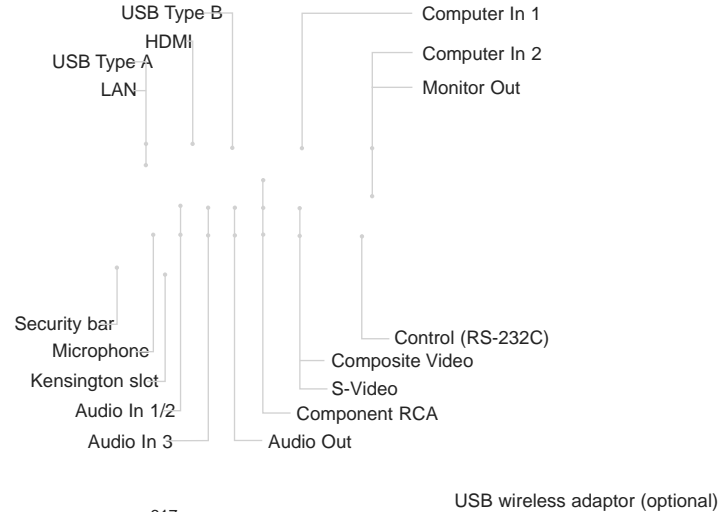


www.hitachidigitalmedia.com

HITACHI
Inspire the Next

CP-X3014WN

Technical specifications



Screen Size (Diagonal)	Projection Distance (a)		Screen Height (cm)	
	Wide. (m)	Tele. (m)	b (top)	c (bottom)
30" (0.8m)	0.8	1.0	41	5
40" (1.0m)	1.1	1.3	55	6
50" (1.3m)	1.4	1.7	69	8
60" (1.5m)	1.7	2.0	82	9
100" (2.5m)	2.9	3.5	137	15
200" (5.1m)	6.0	7.1	274	30
300" (7.6m)	9.0	10.7	411	46

Screen Size (Diagonal)	Projection Distance (a)		Screen Height (cm)	
	Wide. (m)	Tele. (m)	b (top)	c (bottom)
30" (0.8m)	0.9	1.1	39	-1
40" (1.0m)	1.2	1.5	51	-2
50" (1.3m)	1.5	1.9	64	-2
60" (1.5m)	1.9	2.2	77	-2
100" (2.5m)	3.2	3.8	129	-4
200" (5.1m)	6.5	7.7	257	-8
300" (7.6m)	9.8	11.6	386	-12

OPTICAL

LCD Panel Resolution	0.63" (1.6cm) P-Si TFT x 3 XGA (1024 x 768)
White light output (brightness)	3200 ANSI Lumens (Normal Mode) 2100 ANSI Lumens (Eco Mode)
Colour light output (colour brightness)	3200 ANSI Lumens
Contrast ratio	3000:1
Lens	Manual focus, manual zoom x 1.2
Lamp wattage	210W UHP
Lamp life	3000 hours (Normal Mode)/6000 hours (Eco Mode)*
Diagonal display size	30-300" (76-762cm)
Number of colours	8 Bit/colour, 16.7M colours
Keystone	9:1 upward shift, fixed
Distance to width ratio (-1)	1.5 (Wide), 1.8 (Tele)

COMPATIBILITY

Computer compatibility	IBM Compatible VGA, SVGA, XGA, WXGA, WXGA+, SXGA, SXGA+, UXGA (compressed), MAC 16"
Composite/S-Video	NTSC/PAL/SECAM/PAL-M/PAL-N/NTSC4.43/PAL60
Component Video	SDTV: 480i, 480p, 576i, 576p HDTV: 720p(@50/60Hz), 1080i(@50/60Hz), 1080p(@50/60Hz) Signal: 525i(480i), 525p(480p), 625i(576i), 1125i(1080i@50/60), 750p(720p@50/60), 1125p(1080p@50/60)
HDMI Video	
Plug & Play	DCC2B

FEATURES

Speakers	16W Mono (8W x 2)
Basic functions	Freeze, Magnifying, Blank, Auto adjustment, Search, Page UP&DOWN (for USB mouse function)
Picture adjustments	Equalizing Gamma Correction, 2-3 pull down for NTSC, Progressive Scan, Noise Reduction
Digital keystone	Auto V keystone ±30 degrees(@XGA 60Hz)
Advanced features	MyScreen, My Memory, My Button, My Text, My Source, blackboard/whiteboard mode, Daytime Mode, Input Source Naming (English), resolution setting, Template, Closed Caption (for NTSC & component 480i only), Audio pass through
Outward Power on & off	Easy lamp replace from top, Air filter slides towards front side or top
Security systems	Quick On, Direct On, Auto Off Security bar, PIN-Lock, MyScreen Password, Keypad-Lock, Kensington slot, Transition detector, My Text Lock, Security label
Network	Campus Notification System, Configure and control projector via web browser, receive alerts via e-mail, projector management via SNMP, Crestron RoomView®, Scheduling, My Image, displaying text data transferred via the network, Command Control via network, AMX Device Discovery, PJ Link™, Network Bridge
OSD languages	English, French, German, Spanish, Italian, Norwegian, Dutch, Japanese, Portuguese, Simplified Chinese, Traditional Chinese, Korean, Swedish, Russian, Finnish, Polish, Turkey, Arabic, Persian, Czech, Danish, Hungarian, Romanian, Slovenian, Croatian, Greek, Lithuanian, Estonian, Latvian, Thai, Portuguese(Brazil)

CONNECTIONS

Digital input	1 x HDMI (HDCP compatible)
Computer input	2 x 15-pin Mini D-sub
Computer output	1 x 15-pin Mini D-sub (RCA combination)
Video input	1 x RCA for component 2 x Component D-sub (shared with analogue RGB) 1 x RCA for composite 1 x Mini-DIN for S-Video 2 x 6.35 Mini Jack
Audio input	1 x RCA (L/R) pair 1 x Microphone Jack (stereo mini)
Audio output	1 x pair RCA (L/R)
USB Type A	1 x USB Type A (for PC-less presentation or wireless adaptor)
USB Type B	1 x USB Type B (for USB display or USB mouse control)
Wired Network	1 x RJ-45
Wireless Network	Optional, IEEE801.11b/g/n ready
Control	1 x 9-pin D-sub for RS-232C control

POWER

Power supply	100-120V/220-240V, auto switching
Power Consumption/Standby	310W/<1W (AC 220 - 240V)

PHYSICAL

Dimensions (W x H x D)	317 x 98 x 288mm (excluding feet and extrusions)
Weight	3.5Kg
Noise level	29dB (Eco Mode)/36dB (Normal Mode)
Air filter	Hybrid

MISCELLANEOUS

Indicator lights (lamp, temp, power), Ceiling mount image, Rear projection image, Serial number label on side, MAC PC support: PJ Control software, MAC address label on side, LiveViewer software

CERTIFICATION

'UL/C-UL, FCC Part 15 Class B, 'CE, AS/NZS CISPR22 ClassB

ACCESSORIES SUPPLIED

Remote control with batteries (HL02771), Computer cable, Power cord, Lens cap, Security label, User manual (detail & concise), Application software for LAN display

OPTIONAL ACCESSORIES

Replacement lamp	DT01021
USB wireless adaptor	USB-WL-11N

WARRANTY

Projector warranty	3 Years
Lamp warranty	6 Months**



HITACHI DIGITAL MEDIA, Hitachi Europe Ltd, Whitebrook Park, Lower Cookham Road, Maidenhead, Berkshire SL6 8YA UNITED KINGDOM

Tel: +44 (0)1628 585 000 Fax: +44 (0)1628 585 163 www.hitachidigitalmedia.com

*The stated lamp and filter life refers to the average life expected in ideal operating conditions with standard use, but not all lamps and filters should achieve this figure. **Where a lamp replacement warranty is taken, the warranty for the replacement lamp will be a maximum of 6 months (dependent on warranty hours stated). Hitachi Digital Media Interface are trademarks or registered trademarks of Hitachi Digital Media. Crestron and Crestron RoomView™ are registered trademarks or trademark of Crestron Electronics, Inc. All other specifications are for reference only and may be subject to change.