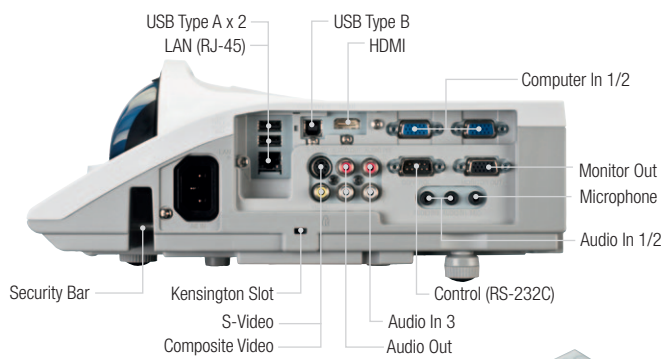


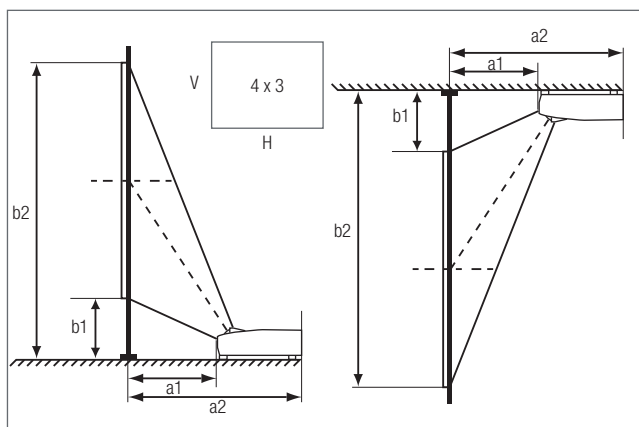
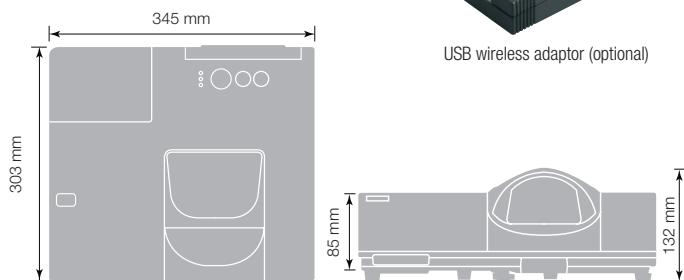
# CP-D27WN

Technical Specifications

**HITACHI**  
Inspire the Next



USB wireless adaptor (optional)



Throw distance (from lens to screen)

Screen size (diagonal)	H x V		a1	a2	b1	b2
	(m)	(m)				
60" (1.5m)	1.2	0.9	0.549	0.813	0.155	1.069
70" (1.8m)	1.4	1.1	0.649	0.913	0.171	1.237
80" (2.0m)	1.6	1.2	0.750	1.014	0.186	1.405
90" (2.3m)	1.8	1.4	0.851	1.115	0.202	1.573
100" (2.5m)	2.0	1.5	0.952	1.216	0.217	1.741



## OPTICAL

LCD Panel	0.63" (1.6cm) P-Si TFT x 3
Resolution	XGA (1024 x 768)
White light output (brightness)	2700 ANSI Lumens (Normal Mode)/1800 ANSI Lumens (Eco Mode)
Colour light output (colour brightness)	2700 ANSI Lumens (Normal Mode)/1800 ANSI Lumens (Eco Mode)
Contrast ratio	3000:1
Lens	Manual focus, Digital zoom x 1.35
Lamp wattage	215W UHP
Lamp life	3000 hours (Normal Mode)/5000 hours (Eco Mode)*1
Diagonal display size	60~100" (152~254cm)
Number of colours	8 Bit/colour, 16.7M colours
Keystone	11:-1 upward shift, fixed
Focus distance	0.51m~0.913m (Wide)
Distance to width ratio	0.4:1

## COMPATIBILITY

Computer compatibility	IBM Compatible VGA, SVGA, XGA, WXGA, WXGA+, SXGA, SXGA+, UXGA (compressed), MAC 16"
Composite/S-Video	NTSC, PAL, SECAM, PAL-M, PAL-N, NTSC4.43
Component Video	525i(480i), 525p(480p), 625i(576i), 1125i(1080i@50/60), 1125p(1080p@50/60), 750p(720p@50/60)
HDMI Video	Signal: 525i(480i), 525p(480p), 625i(576i), 1125i(1080i@50/60), 750p(720p@50/60), 1125p(1080p@50/60)
Plug & Play	DDC2B

## FEATURES

Speakers	10W x 1 (mono)
Basic functions	Freeze, Magnifying, Blank, Auto adjustment, Search, Page Up & Down (for USB mouse function), Auto signal search, Auto eco mode
Picture adjustments	Aspect selection (video, data, HDMI), Equalizing Digital Gamma Correction, Equalizing Color temperature adjustment, 2-3 pull down for NTSC, Mirror reverse image, up-side down image, Progressive Scan, Noise Reduction, Overscan
Digital keystone correction	Vertical $\pm 5^\circ$ (XGA@60Hz)
Advanced features	MyScreen, My Memory, My Button, My Text, My Source, Picture mode (normal, cinema, dynamic, blackboard, whiteboard greenboard, photo), Daytime Mode, Input Source Naming (English), Resolution setting, Template, Closed Caption (for NTSC & component 480i only), Audio pass through, Framelock, Audio ports assign, Cloning, Drawing function (Optional wireless pen tablet TB-1 is necessary), Eco Mode (Normal, Eco, Intelligent eco, Saver), iOS Connectivity, ImageCare™
Outward	Easy lamp replace from top, Air filter slides towards front side or top
Power on & off	Direct On, Auto Off
Security systems	Security bar, PIN-Lock, MyScreen Password, Key Lock (key pad and remote control), Kensington slot, Transition detector, My Text Password, Security label
Network	Network presentation (PC still/moving picture transfer), Configure and control projector via web browser, receive alerts via e-mail, projector management via SNMP, Crestron RoomView®, Scheduling, My Image, displaying text data transferred via the network, Command Control via network, AMX Device Discovery, PJ Link™, Network Bridge
OSD languages	English, French, German, Spanish, Italian, Norwegian, Dutch, Japanese, Portuguese, Simplified Chinese, Traditional Chinese, Korean, Swedish, Russian, Finnish, Polish, Turkish, Arabic, Persian, Czech, Danish, Hungarian, Romanian, Slovenian, Croatian, Greek, Lithuanian, Estonian, Latvian, Thai, Portuguese (Brazil), Indonesian, Vietnamese

## CONNECTIONS

Digital input	1 x HDMI (HDCP compatible)
Computer input	2 x 15-pin Mini D-sub
Monitor output	1 x 15-pin Mini D-sub
Video input	2 x 15-pin Mini D-sub (shared with analogue computer in 1/2), 1 x RCA for composite, 1 x Mini-DIN for S-Video
Audio input	2 x Stereo Mini Jack, 1 x RCA (L/R) pair, 1 x Microphone Jack
Audio output	1 x pair RCA (L/R)
USB Type A	2 x USB Type A (for PC-less presentation or wireless network)
USB Type B	1 x USB Type B (for USB display or USB mouse control)
Wired Network	1 x RJ-45
Wireless Network	IEEE801.11b/g/n ready (optional USB wireless adaptor required)
Control	1 x 9-pin D-sub for RS-232C control

## POWER

Power supply	100-120V/220-240V, auto switching
Power Consumption/Standby	300W/<0.35W (AC 220-240V)

## PHYSICAL

Dimensions (W x H x D)	345 x 85 x 303mm (excluding feet and extrusions)
Weight	3.7kg
Noise level	28dB (Eco Mode)/35dB (Normal Mode)
Air filter	Hybrid (Up to 4000 hours)

## MISCELLANEOUS

Indicator lights (lamp, temp, power), Ceiling mount image, Rear projection image, Serial number label on side, MAC PC support: PJ Control software, MAC address label on front, LiveViewer software

## CERTIFICATION

UL60950-1/cUL, FCC Part 15 subpart B class B, CE Marking: EN61000-3-2, EN61000-3-3, EN55022, EN55024 (EMC Directive), EN60950-1 (Low voltage directive), WEEE, RoHS, ErP (lot6) compliant, DEMKO-GS, GOST-R

## ACCESSORIES SUPPLIED

Remote control with batteries (HL02881), Computer cable, Power cord, Lens cap, Security label, Adapter cover, User manual (detail & concise), Application CD

## OPTIONAL ACCESSORIES

Replacement lamp	DT01381
USB wireless adaptor	USB-WL-11N
Wireless pen tablet	TB-1
Interactive camera unit	IM-1

## WARRANTY

Projector/Lamp	3 Years/6 Months*2
	For education and extended warranties please contact your local dealer

HITACHI DIGITAL MEDIA, Hitachi Europe Ltd, Whitebrook Park, Lower Cookham Road, Maidenhead, Berkshire SL6 8YA UNITED KINGDOM

Tel: +44 (0)1628 585 000 Fax: +44 (0)1628 585 163 www.hitachidigitalmedia.com

\*1. The stated lamp and filter life refers to the average life expected in ideal operating conditions with usage in accordance with the manual. The majority of, but not all lamps and filters should achieve this figure. \*2. Where a lamp fails within warranty and a replacement lamp is taken, the warranty for the replacement lamp will be a maximum of 6 months (dependent on warranty hours stated). HDMI, the HDMI logo and High-Definition Multimedia Interface are trademarks or registered trademarks of HDMI Licensing LLC. Crestron™ and RoomView™ are registered trademarks or trademark of Crestron Electronics, Inc. The specification above and photography is for reference only and may be subject to change.